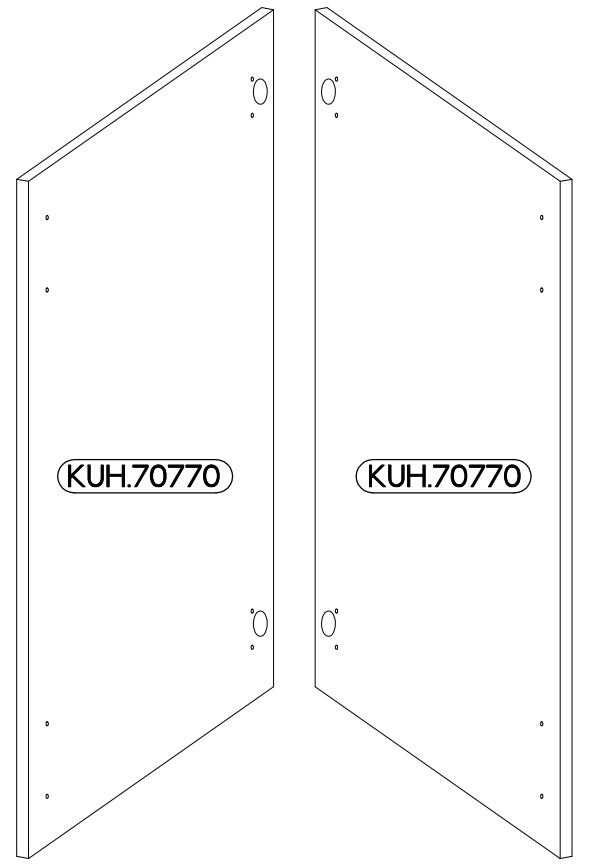
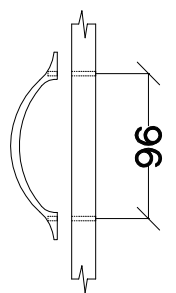
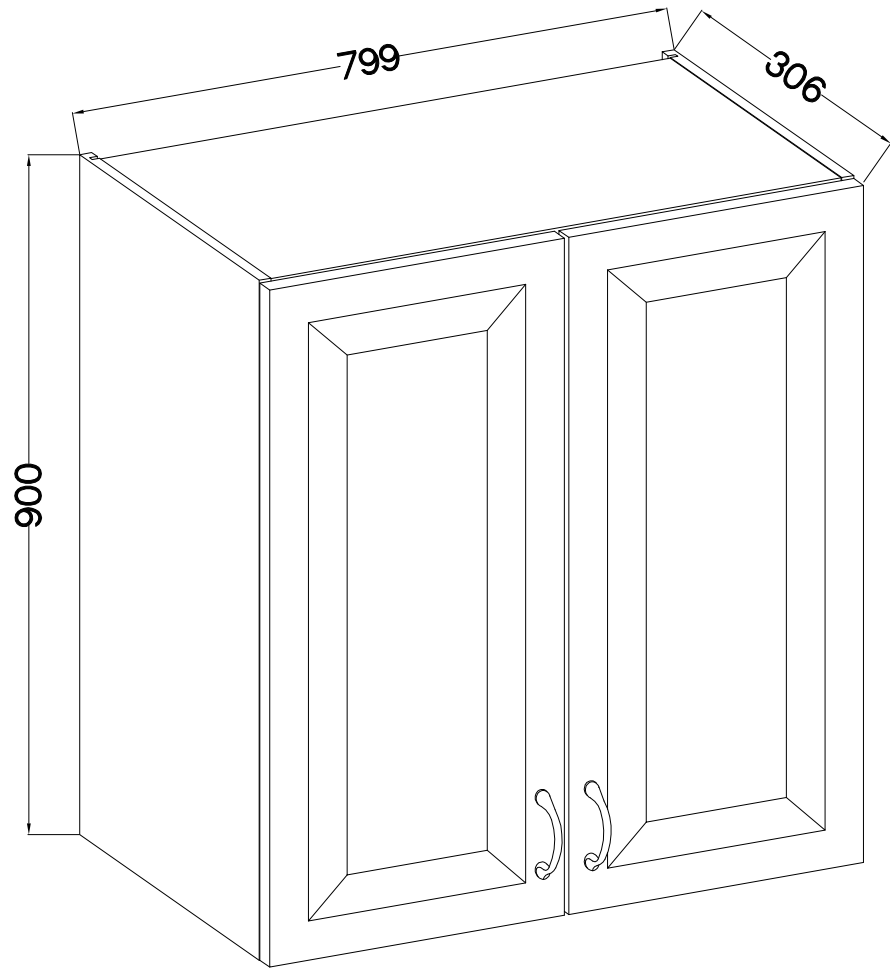
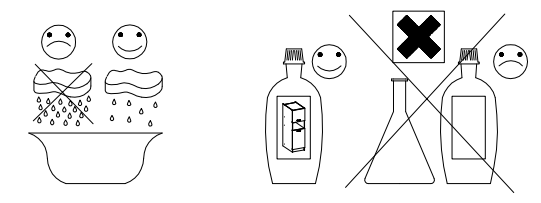


80 G-90 2F
FRONT

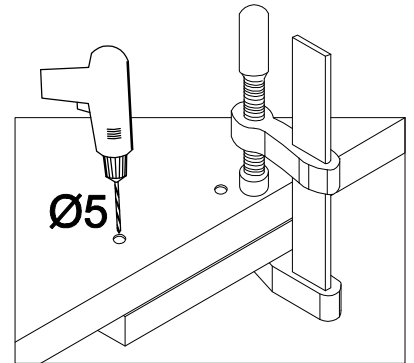
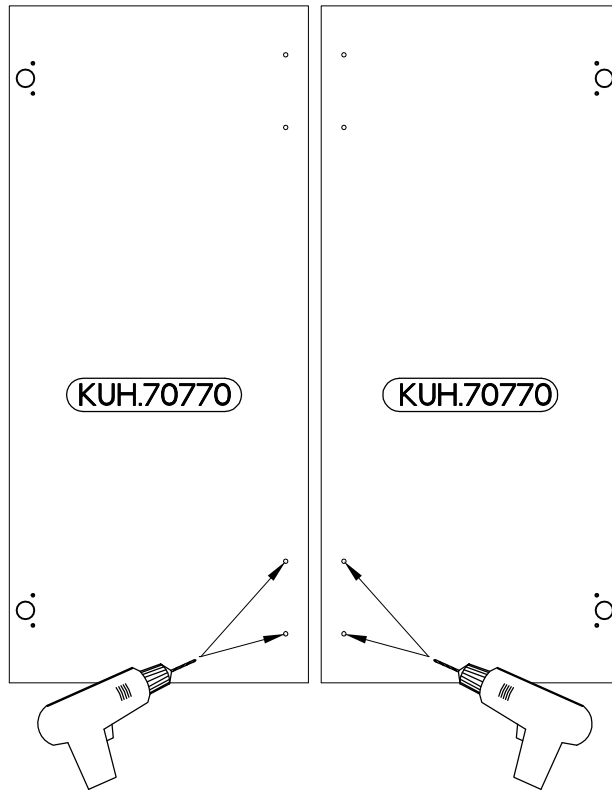
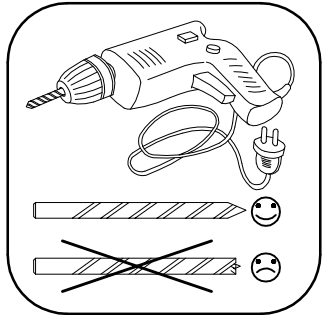


| | |
|---------|---|
| M4x22mm | |
| U | S |
| 4 | 2 |



| Ersatzteil Nummer | Dimension |
|-------------------|------------|
| KUH.70770 x2 | 896x396x16 |

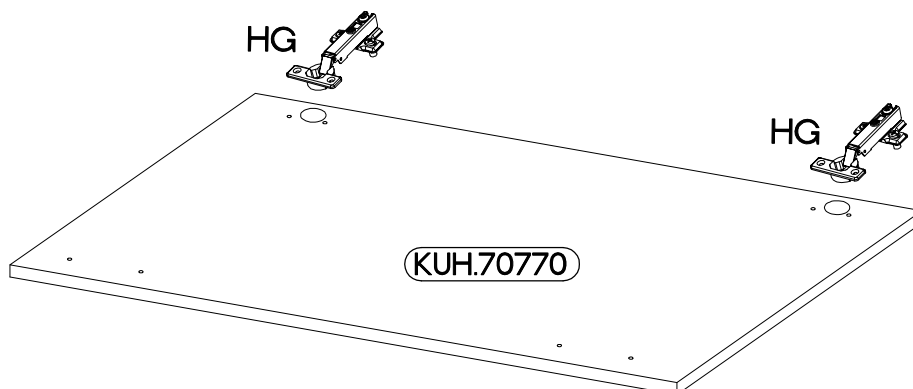
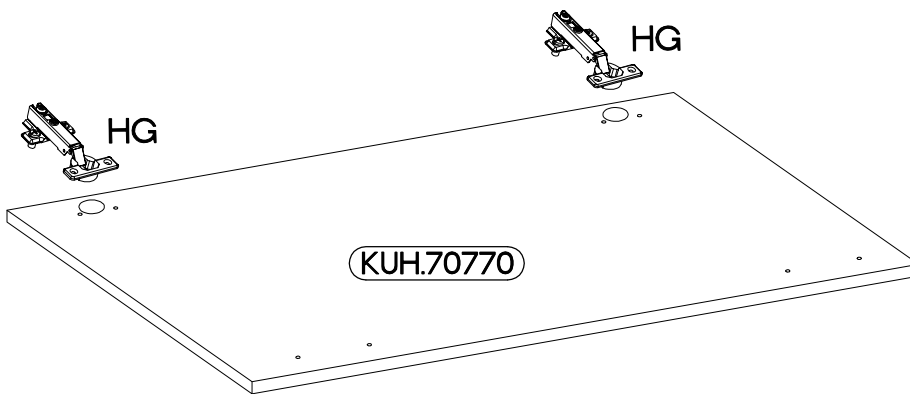
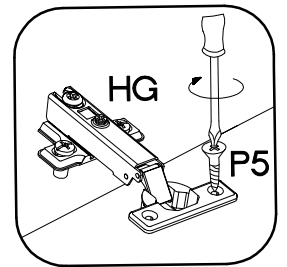
ISM-KUH-01204

1



2

| | |
|--|--|
| $\pm 35/0\text{mm}$ | $\pm 3.5 \times 13\text{mm}$ |
|  |  |
| HG | P5 |
| 4 | 8 |



3

M4x22mm



U

4



S

2

